

Application for City Building Permit

TO THE ENFORCING OFFICER OF NAPOLEON, OHIO

Application No. 248

Date MAY 13, 1959

Name of Applicant PHILIP H. RONZONE

Phone 222 55

Address 903 HALEY

Name and Address of Owner SAME

NAPOLEON

Location of Property—Lot No. _____ In BAUMAN PLACE EXTENDED Addition

Street No. or Other Description of Location 16 BAUMAN PLACE

Present Use of Property UNIMPROVED Proposed Use RESIDENCE

Zoning Class of Property A

Contractor C. B. DEDY Address NEW BAVARIA, OHIO

Estimated Cost \$17,500.00 SHOW ALL DETAILS ON SKETCH BELOW

Lot Dimensions 300 x 160

Lot Area, Sq. Ft. 49000

Bldg. Size 55 x 43

Sq. Ft. 2365

Front Yard 30'

75 FT ONE SIDE

Side Yard 45 FT 2ND SIDE

Off St. Parking YES

Off St. Loading _____

Type of Const. FRAME

New Addition

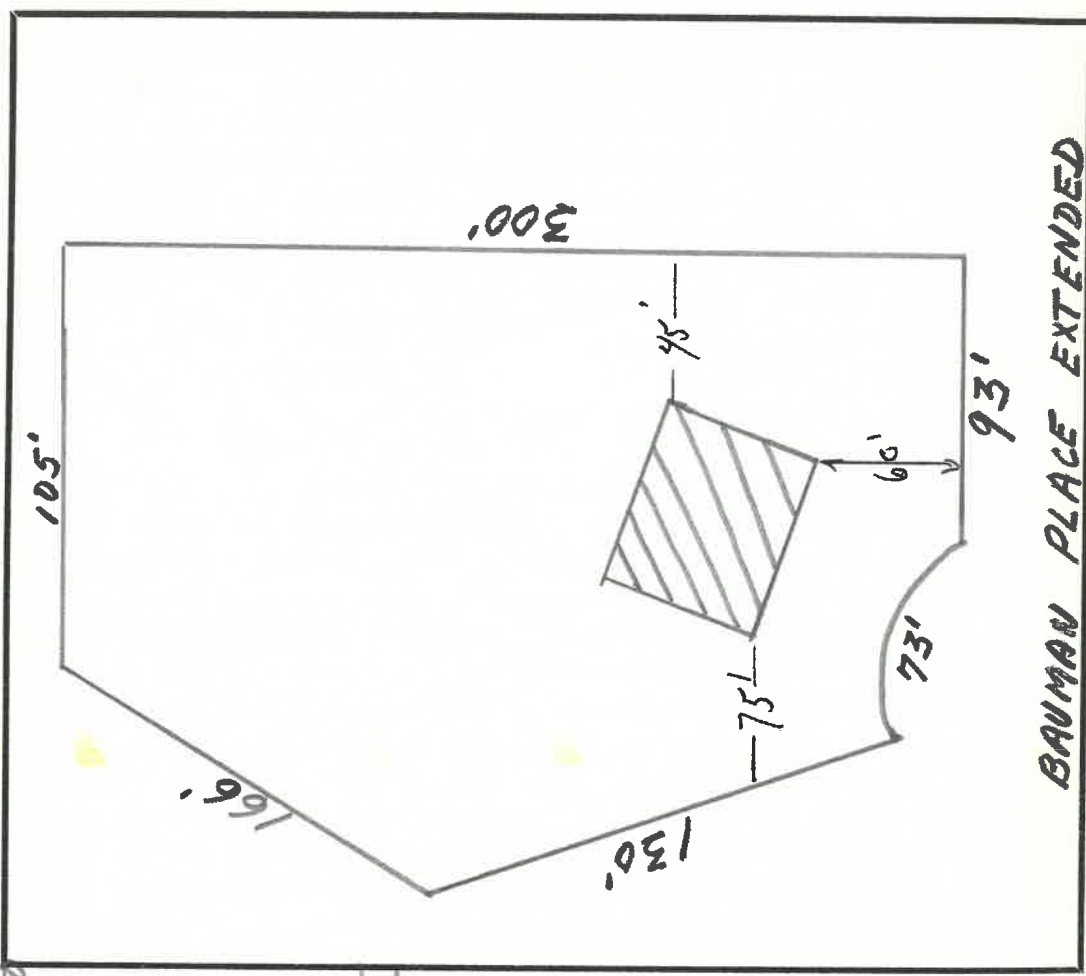
Location of Sewer or

Septic Tank 10 FT OR

MORE

Location of Water Tap

IN STREET



Building Permit No. 248 Issued 5/13/59 Denied

If denied, state reasons _____